

Our Experience – Your Advantage

Technical details

Diameter: 5,0 to 25,0 m
Height: 1,1 to 1,4 m
Volume: 20 to 687 m³

Frame: Corrosion-resistant,
arched sheet steel,
coated with an
aluminium-zinc alloy

Membrane: Fabric-reinforced,
tearresistant
membrane,
highfrequency welded

Special design on request



Custom made tank, special drainbox, outlet.

* Tanks and equipment analogue figures, technical modifications reserved.

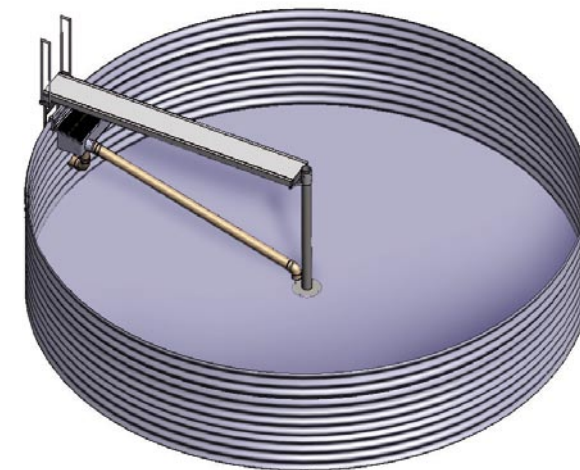
Tanks with system!

- Qualified for in- and outdoor installations
- Large water volumes cost-efficient
- Excellent self-cleaning
- Equipment to upgrade your tanks
- Suitable for self-installation
- Different membrane colours
- Space saving transport
- Special design on request



Fischtechnik International Engineering GmbH

Auf der Platte 1
D-37186 Moringen Deutschland
Telefon: +49 (0) 5555-99 545 0
Fax: +49 (0) 5555-99 545 30
Web: www.ftie.de
E-mail: info@ftie.de



Tank-System



We pamper your Fish

Fischtechnik-Tanks

Our tanks have been processed for many years and are perfectly suitable for the requirements of modern aquaculture.

The tanks are built of modular composed steelframes, well fitted with a fabric-reinforced, tearresistant membrane.



Standard tank equipped with: drainbox, outlet, outlet valve, ladder, pendulum demand feeder and clockwork feeder.*

For set up, a flat and compacted basement will be needed. Because of the coherent manual, a do-it-yourself construction of the tanks is possible. As a matter of course a construction is also possible by our team.

Design:

Our standard-tanks are available in seven different diameters and two heights. Individual sizes and heights up to 2.5m are available on request and for an extra charge.

Type	Ø in m	Height in m	Gross volume in m ³
SB 22	5	1,1	22
SB 30	6	1,1	31
SB 55	8	1,1	55
SB 85	10	1,1	86
SB 125	12	1,1	124
SB 280	18	1,1	280
SB 540	25	1,1	540
SB-H 28	5	1,4	27
SB-H 40	6	1,4	40
SB-H 70	8	1,4	70
SB-H 110	10	1,4	110
SB-H 160	12	1,4	158
SB-H 360	18	1,4	356
SB-H 700	25	1,4	687

Scope of delivery:

- Tank elements
- Stiffening ring
- Screws
- Protective fleece
- Tear-resistant membrane
- Construction manual



Equipment:

In addition to our standard tanks we offer optional equipment to guarantee an optimal operation:

- Drainbox for excellent self-cleaning
- Centre pillar
- Ladder incl. staging
- Jacket membrane (optional with logo)
- Support for feeders
- Automatic feeders
- Support for sensors
- Emergency oxygenation
- Roofing (on request)



Tank with jacket membrane and logo.*

